

# VESDA-E Analytics Relay Module

VRT-X00



## Features

- Notification to third party devices of analytics events detected by VESDA-E detectors, via relays
- Compatible with Xtralis Xapps DieselTrace, DustTrace and WireTrace Analytics
- Fault monitoring of detector and analytics server
- Communication with VESDA-E detectors using VESDAnet
- Designed for easy mounting

## Requirements

- VESDA-E Aspirating Smoke detector with Analytics capability enabled
- Minimum one Analytics License (Xapp) DieselTrace, DustTrace or WireTrace

The VESDA-E Analytics Relay Module provides notification of an analytics event detected by a VESDA-E aspirating smoke detector with Analytics capability to third party devices, via relays. For example, the Analytics Relay Module outputs can be integrated with HVAC systems for environmental control.

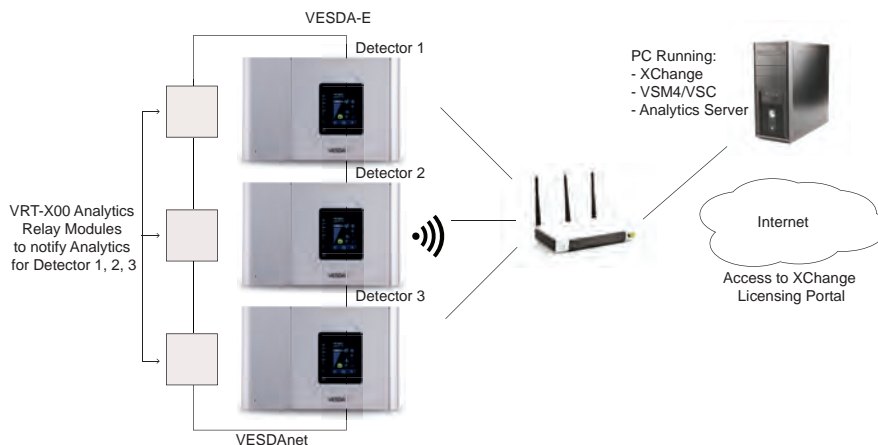
## Operation

The Analytics Relay Module contains seven relays which change state in response to an event. Relay state changes are controlled by the analytics server and communicated to the Analytics Relay Module via the detector, over VESDAnet.

## Configuration Example

The configuration example shown below contains three VESDA-E detectors with Analytics capability enabled connected via VESDAnet to three corresponding Analytics Relay Modules, which are in turn connected to third party equipment via relays.

One Analytics Relay Module is required for each VESDA-E detector.



## VESDA-E Analytics

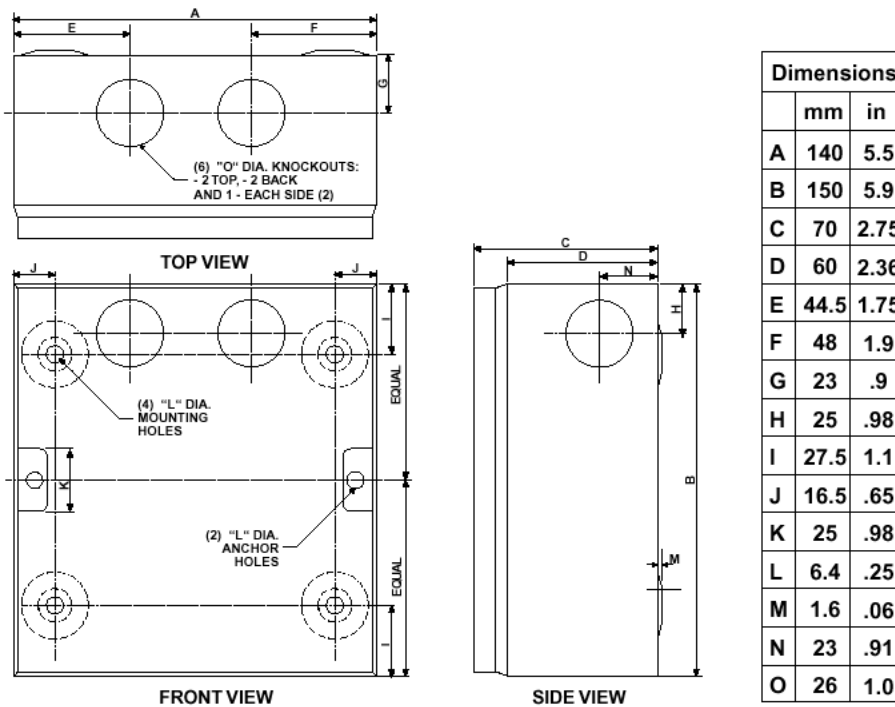


VESDA Analytics provides additional unique particle characterization capabilities that enable targeted detection and response. They are designed to identify specific threats during the very early stages of fire development (typically Alert, Action levels of VESDA-E) or monitor specific particles for environmental control integrated into building management or process control.

# VESDA-E Analytics Relay Module

VRT-X00

## Dimensions



## Specifications

**Supply Voltage:** 18 to 30VDC

### Relays:

Contacts rated 2A @ 30V NO/NC

### 4 Analytics Relays:

DieselTrace, DustTrace, WireTrace, Server Fault

**Warning:** The DieselTrace, DustTrace and WireTrace outputs must not be used to inhibit the Fire Alarm reporting of VESDA-E detectors.

### 3 Detector Relays:

Urgent Fault, Minor Fault, Disabled (Isolated)

### Dimensions (WHD):

140 mm x 150 mm x 85 mm  
(5.5 in. x 5.9 in. x 3.4 in)

### Cable Access:

6 x 25mm (1") cable entries

### Cable Termination:

Screw terminals 0.2-2.5 mm<sup>2</sup> (30-12 AWG)

**Communication:** VESDAnet

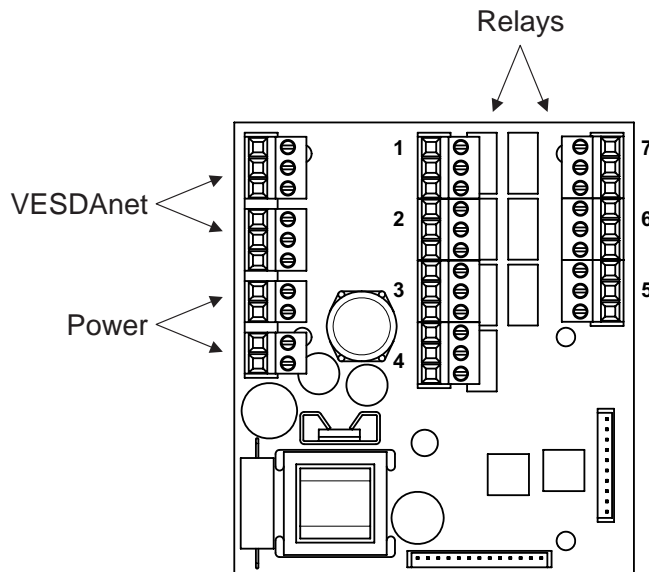
## Default Relay States

Relay	Function	Default State
1	Disabled (Isolated)	de-energized
2	Minor fault	de-energized
3	Urgent fault	energized
4	DieselTrace	de-energized
5	DustTrace	de-energized
6	WireTrace	de-energized
7	Server Fault	de-energized

## Ordering Information

VESDA-E Analytics Relay Module	VRT-X00
--------------------------------	---------

## Termination Card



www.xtralis.com

UK and Europe +44 1442 242 330 D-A-CH +49 431 23284 1 The Americas +1 781 740 2223

Middle East +962 6 588 5622 Asia +86 21 5240 0077 Australia and New Zealand +61 3 9936 7000

The contents of this document are provided on an "as is" basis. No representation or warranty (either express or implied) is made as to the completeness, accuracy or reliability of the contents of this document. The manufacturer reserves the right to change designs or specifications without obligation and without further notice. Except as otherwise provided, all warranties, express or implied, including without limitation any implied warranties of merchantability and fitness for a particular purpose are expressly excluded.

Xtralis, Xtralis logo, The Sooner You Know, VESDA, ICAM, ECO, OSID, HeiTel, ADPRO, IntrusionTrace, and LoiterTrace are trademarks and/or registered trademarks of Xtralis and/or its subsidiaries in the United States and/or other countries. Other brand names mentioned herein are for identification purposes only and may be trademarks of their respective holder(s). Your use of this document does not constitute or create a licence or any other right to use the name and/or trademark and/or label. This document is subject to copyright owned by Xtralis. You agree not to copy, communicate to the public, adapt, distribute, transfer, sell, modify or publish any contents of this document without the express prior written consent of Xtralis.

Doc. no. 27838\_00

Part: 30665

**VESDA** 